



OUR SMALLEST CORDLESS TORQUE WRENCH FOR ASSEMBLY

The New GDA 60 to 200 Nm

Ready for Use in Assembly, Production and Manufacturing

www.gedore-torque-solutions.com

THE COMPACT CORDLESS TORQUE WRENCH

SERIES GDA, 60 - 200 Nm

- + Brushless Technology low-maintenance
- + Automatic device switch-off when torque achieved. Wrench slackens (back off) after torque is applied
- + Repeatability +/- 3 %
- + Torque values readable on the label
- + Low backlash, compact planetary gearhead
Made in Germany
- + Delivered with individual GEDORE factory calibration certificate



- + Own microprocessor controlled switch-off electronics
- + Ergonomic grip for safe & non-fatiguing use
- + Powerful 90 Wh (18 V/5 Ah) lithium-Ion battery
- + Stepless variable adjustable
- + With LED status signal

NOW ALSO FOR SMALL BOLTING CASES!

Precise torque. Handy. Powerful.

NEW

The Compact Solution in Low Torque Range

With the new GDA we present our smallest cordless torque wrench for use in assembly, production and manufacturing.

The heart of the cordless torque wrench is the switch-off electronics with microprocessor control. This allows the tightening torque for each bolting operation to be precisely maintained and ensures stable torque accuracy over the entire discharging cycle of the battery.

With a repeatability of +/- 3%, the torque is steplessly adjustable and the status of the bolted connection is visualised via the LED status signal. This is quality made in Germany.



Flexible Use in Various Industries

The new GDA is the solution for small bolting cases in a wide range of applications. Thanks to its low weight, ergonomic design and size, it is perfect for all assembly work in the low torque range. Small, compact and battery operated, it can be used wherever torque accurate bolting is required. Also for applications in linear guidance.



SPECIAL CALIBRATION UP TO 300 NM OPTIONAL

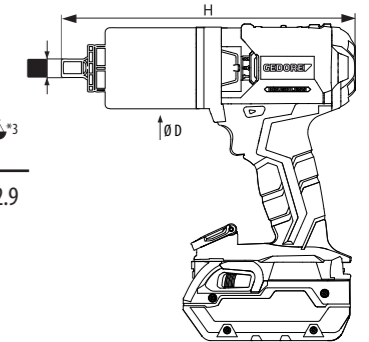


- ✓ Engineering
- ✓ Vehicle manufacturing
- ✓ Civil engineering works
- ✓ Apparatus engineering
- ✓ Pumps
- ✓ Compressors
- ✓ Commercial vehicles
- ✓ Fittings/cylinders
- ✓ Construction machinery

Technical Data

Type	N·m min ¹ /max ²	lbf·ft min ¹ /max ²	~ U/min	■	Ø D mm	H mm	kg ³
GDA	60-200	44-148	54	1/2"	63	221	2.9

¹ Minimum torque in 2nd gear ² Maximum torque in 1st gear ³ Without reaction arm with battery Battery: 740g
Vibration is less than 2.5 m/s² The continuous sound pressure as per DIN 455635 is < 80 dB(A)
Further torques can be found with our LDA series high-level torque wrenches.
All rights reserved. Subject to modifications without prior notice.



Scope of Delivery

- > Device
- > Reaction arm, cranked, made of folded and high-strength sheet steel
- > 2x Lithium-ion battery (90 Wh/18 V/5 Ah)
- > Charger 220-240 V; 50/60 Hz or 110-120 V; 50/60 Hz for USA
- > Tool box
- > Operating manual
- > Factory calibration certificate

Optional Accessories

- > Various attachments
- > Special calibration up to 300 Nm



*USA: Illustration similar

GEDORE

TOOLS FOR LIFE

GEDORE Torque Solutions GmbH

Bertha-Benz-Straße 12
71665 Vaihingen/ Enz · GERMANY

T +49 (0)7042/ 94 41-0

F +49 (0)7042/ 94 41-41

torque-solutions@gedore.com

www.gedore-torque-solutions.com



GEDORE Torque Solutions worldwide

Find our worldwide partners on our website

